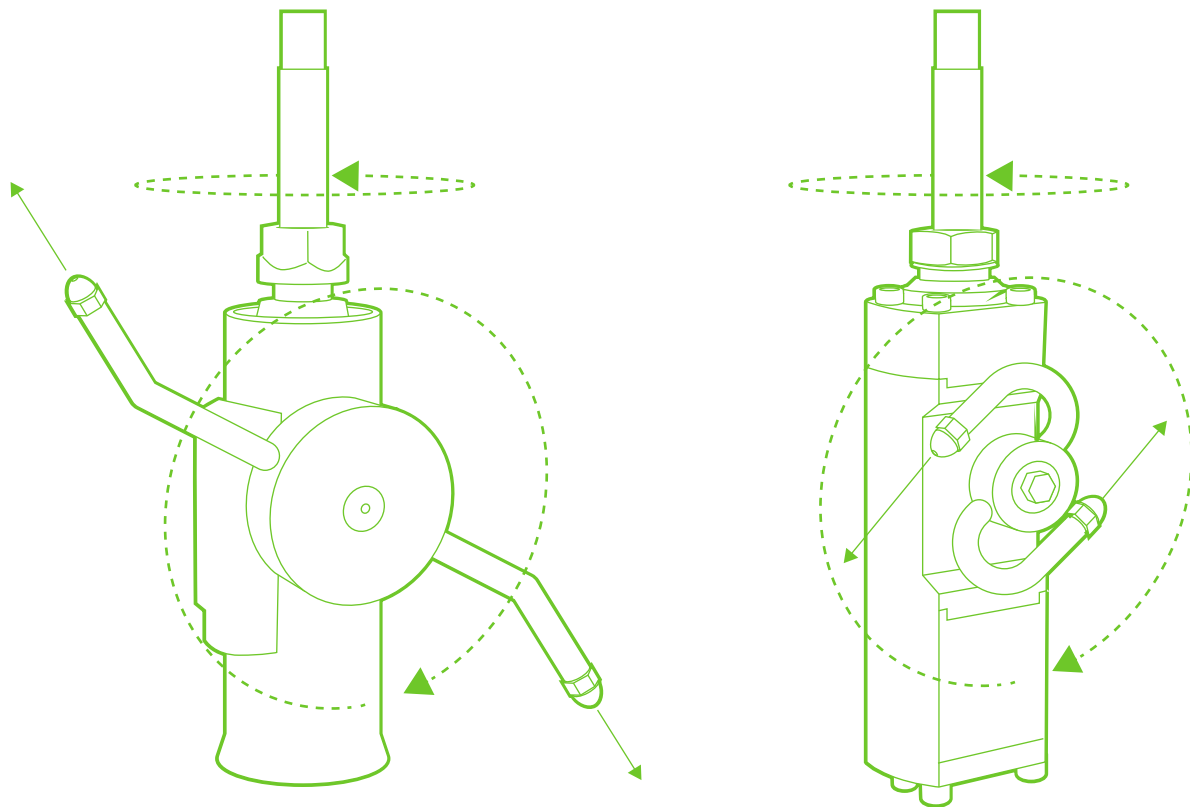


HIGH PRESSURE WATER JETTING ACCESSORIES

TANK CLEANING HEADS



Model Hammelmann

Tank cleaning units remove deposits and incrustations from the inner and outer walls of tanks and tank installations.

Model	Max Pressure	Liter/min	Min. Tank Access	Weight
L1400-2	1400	150	140mm	7,9kg
L1500-2	1500	300	140mm	8,1kg
XL1600	1600	250	190mm	4,8kg

✓ SIR Approved.

Complete your water jetting setup with our rental line up of **high pressure pumps** from 350-3000 bar and **vacuum equipment** up to 8000 m³/hr.

For safe operation, please consider our comprehensive range of specialised **TST safety PPE and accessories**.